

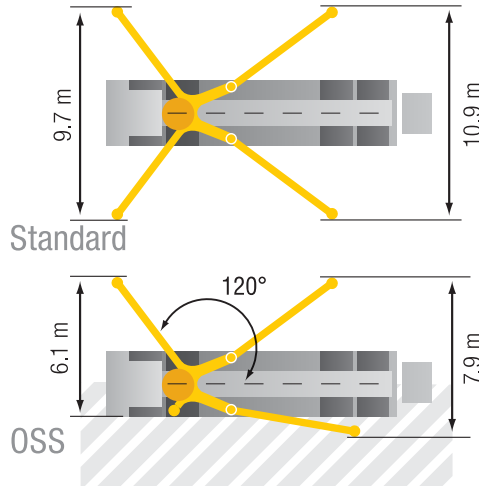
SPECIFICATIONS

Technical data – Placing boom

Type of folding	5-arm roll Z-folding (RZ)
Vertical reach	50.1 m
Horizontal reach	44.9 m gross
Depth of reach	35.1 m
Unfolding height	10.2 m
End hose length	3 m
Delivery lines	DN 125, max. 85 bar
Slewing range	365°

Technical data – General

Support width*	front / rear
Normal	9.7 m / 10.9 m
OSS	6.1 m / 7.9 m
Overall length	approx. 13.6 m
Height	below 4.0 m



Country-specific admission requirements for 4 or 5 axles must be checked. Dimensions are model-dependent and may vary. Gross weight depending on equipment and chassis ≤ 40 t

The pump for more power and lower costs

Putzmeister pumps are designed for all common types of concrete, namely due to the closed loop of free-flow hydraulics. The drive transfers more power and saves resources because the oil reaches the cylinder with minimal losses. Additionally, the S tube is designed for long wear life.

Type	Output m ³ /h	Pressure bar	Stroke mm	Cylinder dia. mm	Strokes /min
16 H	160	85	2100	230	31
16 H LS	160	85	2100	250	26

All data represent theoretical maximum values. Max. delivery rates and max. conveying pressures cannot be operated at the same time. Standard boom pipework: pressure up to max. 85 bar.