

SPECIFICATIONS

Pump Kits

Three-axle cab-over truck 2525H-6 120/85 MPS pump with Big Rock™

Four-axle conventional truck 2023-5 110/75 MPS pump with M Rock

	Three-axle cab-over truck 2525H-6 120/85 MPS pump with Big Rock™		Four-axle conventional truck 2023-5 110/75 MPS pump with M Rock	
	U.S.	Metric	U.S.	Metric
Theor. Concrete Output Per Hour (cubic yards - cubic meters)	213	163	179	137
Maximum Pressure on Concrete (psi - bar)	1169	80	1094	76
Strokes Per Minute	22	22	27	27
Material Cylinder Diameter (in. - mm)	10	254	9	230
Material Cylinder Stroke Length (in. - mm)	98	2500	79	2000
Differential Cylinder Size (in. - mm)	4.7	120	4.3	110
Valve Type	Std. B-Rock		Std. M-Rock	
Maximum Aggregate Size (in. - mm)	2.5	63.5	2.5	63.5

Boom Specifications

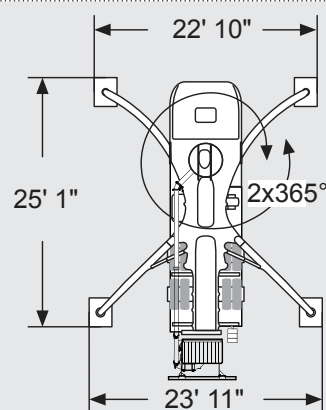
Pipeline Diameter (in. - mm)	5	125	5	125
Vertical Reach (ft.-in. - m)	122-5	37.3	122-5	37.3
Horizontal Reach (ft.-in. - m)	107	32.6	107	32.6
Net Horizontal Reach (ft.-in. - m)	95-3	29	92-2	28.1
Unfolding Height (ft.-in. - m)	24-4	7.4	24-4	7.4
Slewing Range (degrees)	730°	730°	730°	730°
End hose length (ft. - m)	12	3.5	12	3.5

Section Lengths

First Section (ft.-in. - m)	25-1	7.7	25-1	7.7
Second Section (ft.-in. - m)	20-8	6.3	20-8	6.3
Third Section (ft.-in. - m)	20-1	6.1	20-1	6.1
Fourth Section (ft.-in. - m)	20-11	6.4	20-11	6.4
Fifth Section (ft.-in. - m)	22-1	6.7	22-1	6.7

Outriggers

Design	Super X Outriggers, fully hydraulic, extension and jacking	
Front (ft.-in. - m)	22-10	6.96
Rear (ft.-in. - m)	23-11	7.29
Length (ft.-in. - m)	25-1	7.64
Load Front (lbs. - kg)	43,838	19,885
Load Rear (lbs. - kg)	46,086	20,904
Soil Pressure Front	626 psi (w/o Dunnage) 78 psi (w/ Dunnage)	
Soil Pressure Rear	359 psi (w/o Dunnage) 82 psi (w/ Dunnage)	
EASy 135° Set-up Front (ft.-in. - m)	15-7	4.75
EASy 135° Set-up Rear (ft.-in. - m)	15-7	4.75



Specifications are subject to change without notice.