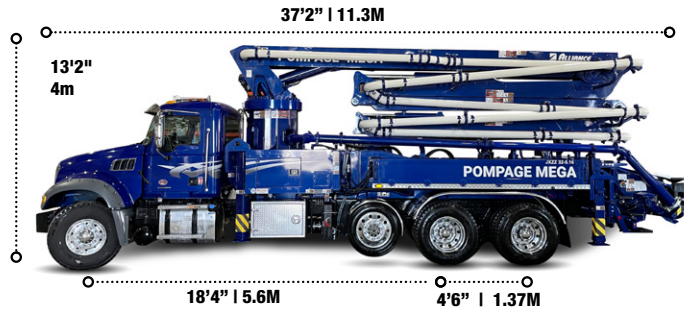


SPECIFICATIONS

32M WEIGHTS/DIMENSIONS



CHASSIS

MAKE/MODEL	FRONT AXLE	REAR AXLE	OVERALL LENGTH	TOTAL WEIGHT
SMALL CONVENTIONAL	13,900 lbs	36,400 lbs	36'9"/11.2m	50,300 lbs
CAB OVER	18,000 lbs	37,000 lbs	34'1"/10.38m	55,000 lbs

GENERAL

PIPE SIZE (ID)	125 mm (5")
BOOM CONTROL VALVE	Proportional (by HAWE)
RADIO REMOTE	Dual Wireless Transmitter System
VIBRATOR	Standard
WATER PUMP	Hydraulic Power 20 bar (290 psi)
WATER TANK	500 L (132 Gal)
WEAR PARTS	Carbide
POPULAR UPGRADES †	<ul style="list-style-type: none"> • LED Boom Light Kit • LED Outrigger Lights • Heated Water Tank • Heated Hydraulic Tank • Air-Cuff • Twin Wall Pipe • 12 Cell Pump Kit

† More options available, ask your sales rep for details.

BOOM

NUMBER OF BOOMS	5 Sections
FOLDING TYPE	ZZ Type
VERTICAL HEIGHT	31.4 m (103')
HORIZONTAL REACH	26.9m (88'3")
UNFOLDING HEIGHT	5.65m (18'6")
1ST SECTION	7.22m (23'8")
2ND SECTION	4.90m (16'1")
3RD SECTION	5.02m (16'5")
4TH SECTION	5.09m (16'8")
5TH SECTION	5.17m (16'11")
FRONT OUTRIGGER	X-Style
REAR OUTRIGGER	T-Style
FRONT SPREAD	6.2m (20'4")
REAR SPREAD	4m (13')

PUMP

OUTPUT:	Rod Side	164 m ³ /h (215 yd ³ /h)
	Piston Side	102 m ³ /h (133 yd ³ /h)
PRESSURE:	Rod Side	72 bar (1044 psi)
	Piston Side	115 bar (1668 psi)
CONCRETE CYLINDER DIAMETER	230 mm (9")	
CONCRETE CYLINDER TYPE	Hard Chromed	
STROKE LENGTH	2100 mm (83")	
S-TUBE SIZE	9" x 7"	
MAIN OIL PUMP	Rexroth Hydromatic A11VL0260	
HYDRAULIC SYSTEM PRESSURE	350 bar (5076 psi)	
LUBE SYSTEM (HOPPER)	Automatic	
SWITCHING SYSTEM	Hydraulic	
HOPPER CAPACITY	Easy Clean 600 L (158 Gal)	
NUMBER OF STROKES/MIN	31	
OUTPUT CONTROL RANGE	10(13)~164m ³ /h (215yd ³ /h)	

† Not to be used through boom pipe

Alliance Concrete Pumps Inc. reserves the right to make changes to all specifications

MEGA
POMPAGE DE BÉTON

STE-JULIE
2250 Rue Bombardier
Ste-Julie, Québec, Canada
J3E 2J9
Tel : (450) 922-6342

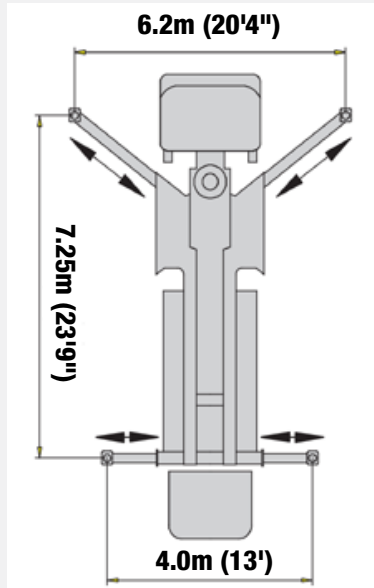
MONTRÉAL • RIVE-NORD / RIVE-SUD
OTTAWA

information@pompemega.com
pompagemega.com

SPECIFICATIONS

DIAGRAMS

OUTRIGGER EXTENSION



BOOM PUMP REACH

